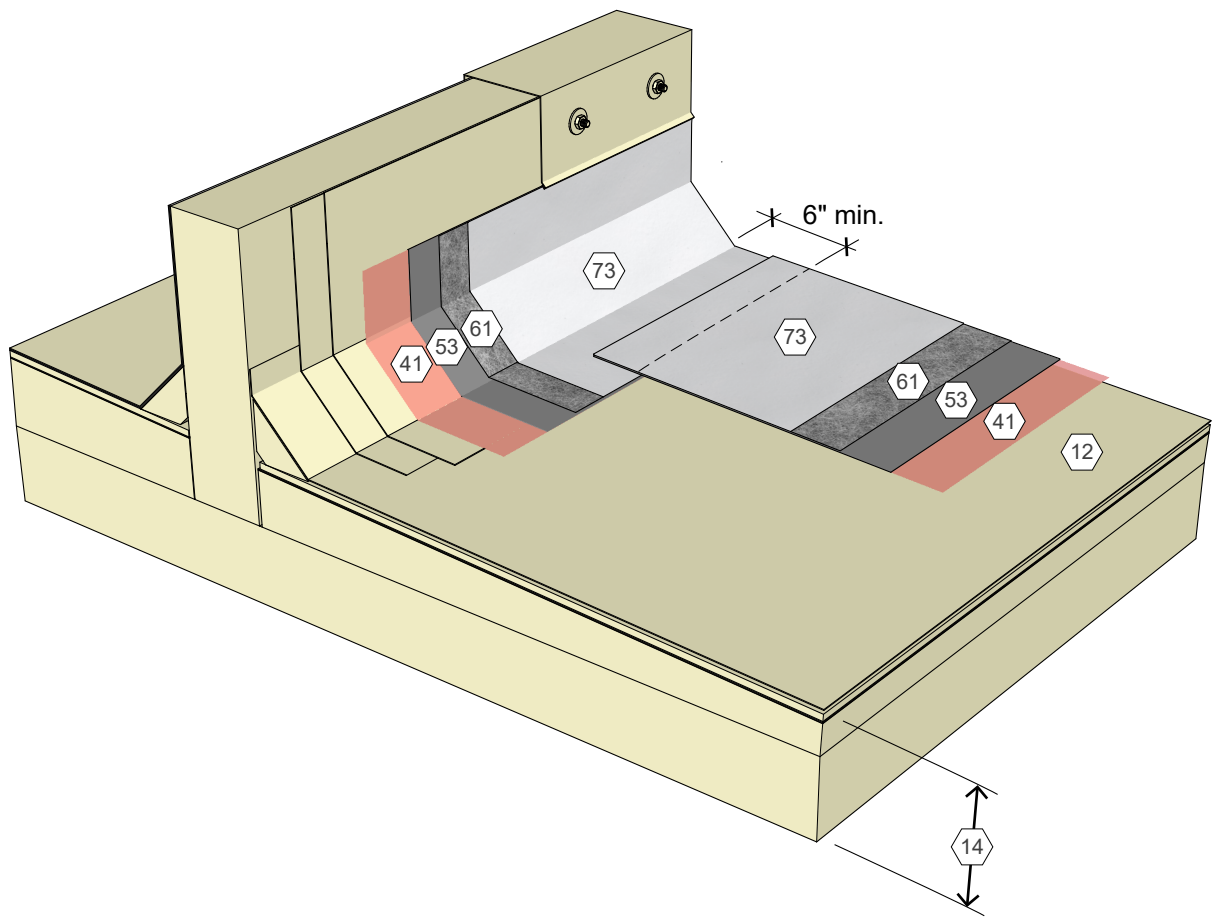


**KEY NOTES**

- ① Existing Single-Ply Membrane
- ② Existing Structural Deck and Insulation Assembly
- ④ Approved Primer
- ⑤ AlphaGuard PUMA Base Coat
- ⑥ AlphaGuard Glass Mat or Permafab
- ⑦ AlphaGuard PUMA Top Coat

AlphaGuard® PUMA Restoration Detail, Single-Ply, Equipment Support  
 Detail 14101





**KEY NOTES**

- ⑫ Existing MB or Smooth BUR
- ⑭ Existing Structural Deck and Insulation Assembly
- ④① Approved Primer
- ⑤③ AlphaGuard PUMA Base Coat
- ⑥① AlphaGuard Glass Mat or Permafab
- ⑦③ AlphaGuard PUMA Top Coat

AlphaGuard® PUMA Restoration Detail, MB or Smooth BUR, Equipment Support  
 Detail 14102

